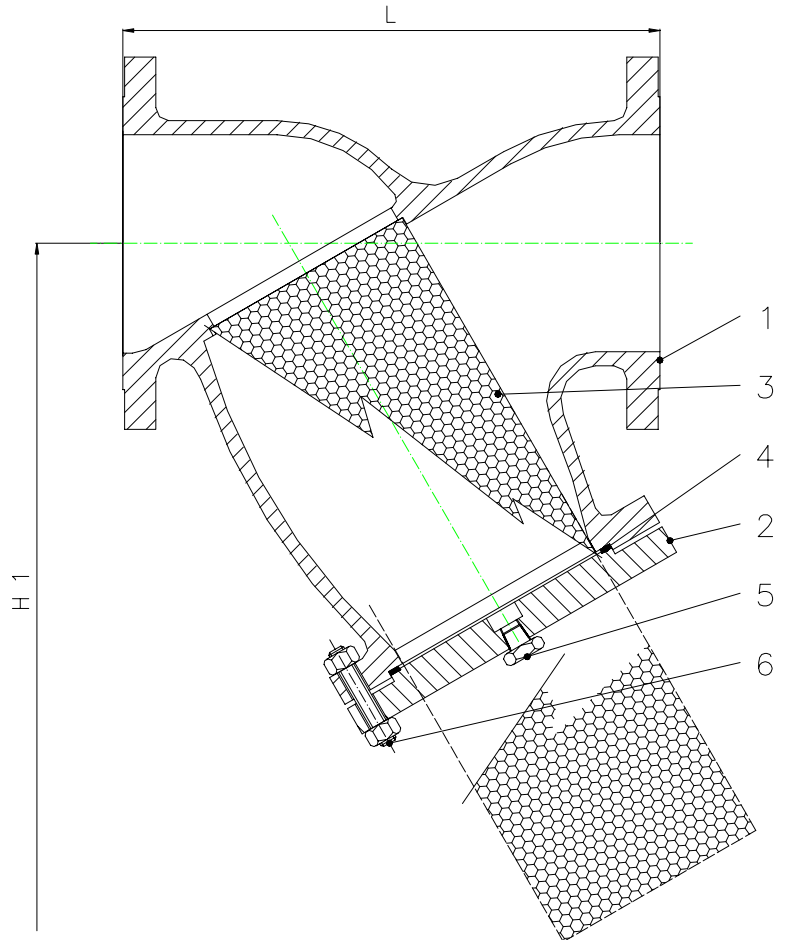


CAST Y-STRAINER CLASS 150

- ✓ Design according to ASME B16.34
- ✓ Full range of body and screen materials
- ✓ Bolted cover
- ✓ Flanges according to ANSI B 16.5 from 2" to 24"
- ✓ Flanges according to ANSI B 16.47 from 26"
- ✓ Bw ends according to ANSI B 16.25
- ✓ Face to face according to ANSI B 16.10
- ✓ Standard screen perforation 1.5 mm round holes
 - Other perforation or wire cloth are available on request
- ✓ Ratio between filtering area and piping section 2:1 minimum
- ✓ Testing according to
 - API 598
 - BS EN ISO 12266 PART 1

Material grades

Gate Valves are also available in Stainless Steel CF8, CF8M



Dimensions

Size	2"	3"	4"	6"	8"	10"	12"	14"	16"	18"	20"	24"	30"	34"	36"
L ^{RF} / _{BW}	203	241	292	406	495	622	698	787	914	978	Available on request				
L-RTJ	216	254	305	419	508	635	711	800	927	991					
H 1	310	380	440	590	750	910	1000	1250	1450	1550					

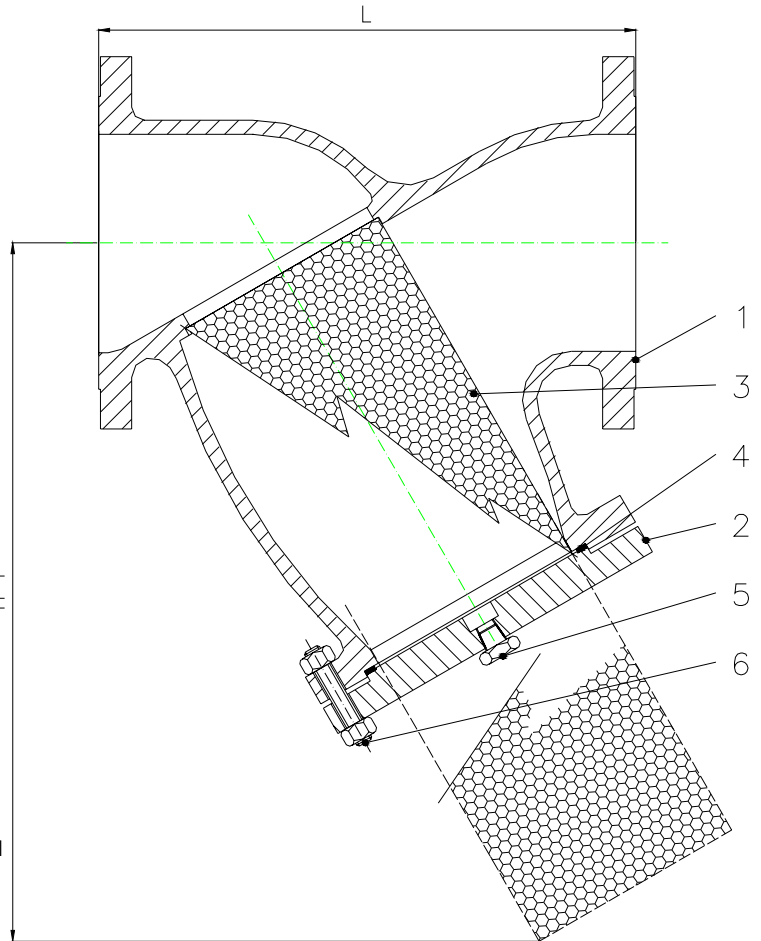
Item	PARTS	STANDARD MATERIAL			
		STD. CARBON STEEL	HIGH TEMPERATURE CARBON STEEL	LOW TEMPERATURE CARBON STEEL	STAINLESS STEEL
1	BODY	ASTM A216 WCB	ASTM A217	ASTM A352	ASTM A351
2	COVER	ASTM A 105	WC6/WC9/C5/C12	LCB/LCC/LC3	CF3/CF8/CF3M/CF8M
3	SCREEN	A182 F 304L / A 182 F 316L			
5	BLOW OFF PLUG				
4	GASKET	SPIRAL WOUND REINFORCED GRAPHITE / PTFE			
6	COVER BOLTS/NUTS	A193 B7/A194 2H	A193 B16/A194 Gr4	A320 L7/A320 Gr7	A193 B8/A194 Gr8

CAST Y-STRAINER CLASS 300

- ✓ Design according to ASME B16.34
- ✓ Full range of body and screen materials
- ✓ Bolted cover
- ✓ Flanges according to ANSI B 16.5 from 2" to 24"
- ✓ Flanges according to ANSI B 16.47 from 26"
- ✓ Bw ends according to ANSI B 16.25
- ✓ Face to face according to ANSI B 16.10
- ✓ Standard screen perforation 1.5 mm round holes
 - Other perforation or wire cloth are available on request
- ✓ Ratio between filtering area and piping section 2:1 minimum
- ✓ Testing according to
 - API 598
 - BS EN ISO 12266 PART 1

Material grades

Gate Valves are also available in Stainless Steel CF8, CF8M (API 603)



Dimensions

Size	2"	3"	4"	6"	8"	10"	12"	14"	16"	18"	20"	24"	30"	34"	36"
L ^{RF} / _{BW}	267	318	356	444	559	622	711	838	914	Available on request					
L-RTJ	283	334	372	460	575	638	722	854	930						
H 1	310	390	480	680	760	930	1020	1290	1470						

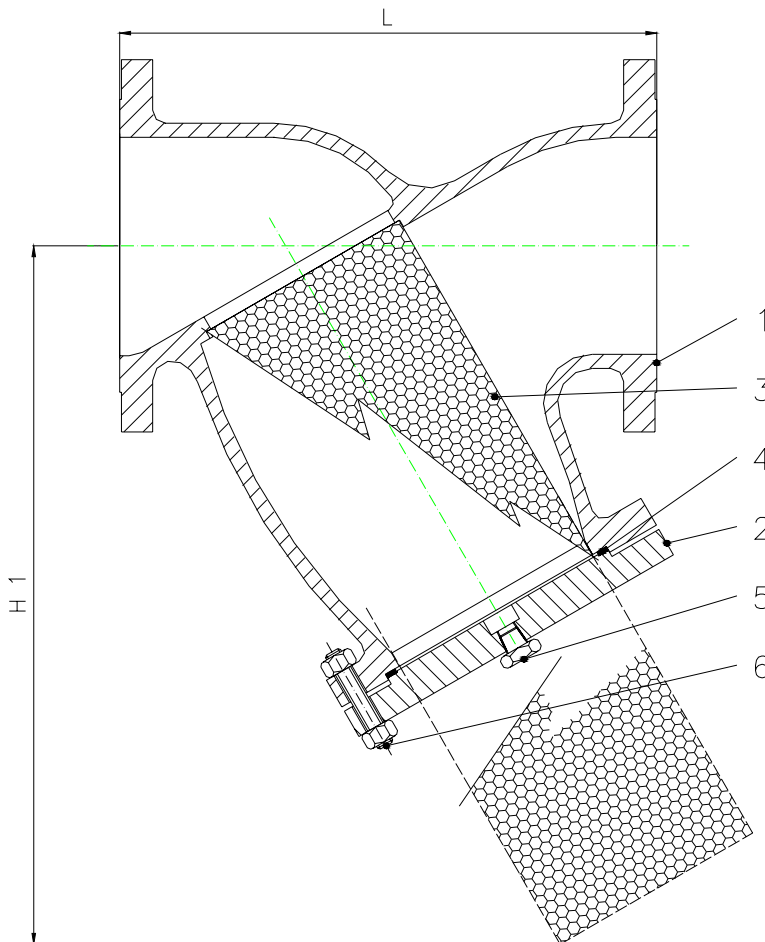
Item	PARTS	STANDARD MATERIAL			
		STD. CARBON STEEL	HIGH TEMPERATURE CARBON STEEL	LOW TEMPERATURE CARBON STEEL	STAINLESS STEEL
1	BODY	ASTM A216 WCB	ASTM A217	ASTM A352	ASTM A351
2	COVER	ASTM A 105	WC6/WC9/C5/C12	LCB/LCC/LC3	CF3/CF8/CF3M/CF8M
3	SCREEN	A182 F 304L / A 182 F 316L			
5	BLOW OFF PLUG				
4	GASKET	SPIRAL WOUND REINFORCED GRAPHITE / PTFE			
6	COVER BOLTS/NUTS	A193 B7/A194 2H	A193 B16/A194 Gr4	A320 L7/A320 Gr7	A193 B8/A194 Gr8

CAST Y-STRAINER CLASS 600

- ✓ Design according to ASME B16.34
- ✓ Full range of body and screen materials
- ✓ Bolted cover
- ✓ Flanges according to ANSI B 16.5 from 2" to 24"
- ✓ Flanges according to ANSI B 16.47 from 26"
- ✓ Bw ends according to ANSI B 16.25
- ✓ Face to face according to ANSI B 16.10
- ✓ Standard screen perforation 1.5 mm round holes
 - Other perforation or wire cloth are available on request
- ✓ Ratio between filtering area and piping section 2:1 minimum
- ✓ Testing according to
 - API 598
 - BS EN ISO 12266 PART 1

Material grades

Gate Valves are also available in Stainless Steel CF8, CF8M (API 603)



Dimensions

Size	2"	3"	4"	6"	8"	10"	12"	14"	16"	18"	20"	24"	30"	34"	36"
L ^{RF} / _{BW}	292	356	432	559	660	787	838	889	991	Available on request					
L-RTJ	295	359	435	562	663	790	841	892	994						
H 1	310	390	480	600	720	950	1180	1290	1350						

Item	PARTS	STANDARD MATERIAL			
		STD. CARBON STEEL	HIGH TEMPERATURE CARBON STEEL	LOW TEMPERATURE CARBON STEEL	STAINLESS STEEL
1	BODY	ASTM A216 WCB	ASTM A217 WC6/WC9/C5/C12	ASTM A352 LCB/LCC/LC3	ASTM A351 CF3/CF8/CF3M/CF8M
2	COVER	ASTM A 105			
3	SCREEN	A182 F 304L / A 182 F 316L			
5	BLOW OFF PLUG				
4	GASKET	SPIRAL WOUND REINFORCED GRAPHITE / PTFE			
6	COVER BOLTS/NUTS	A193 B7/A194 2H	A193 B16/A194 Gr4	A320 L7/A320 Gr7	A193 B8/A194 Gr8