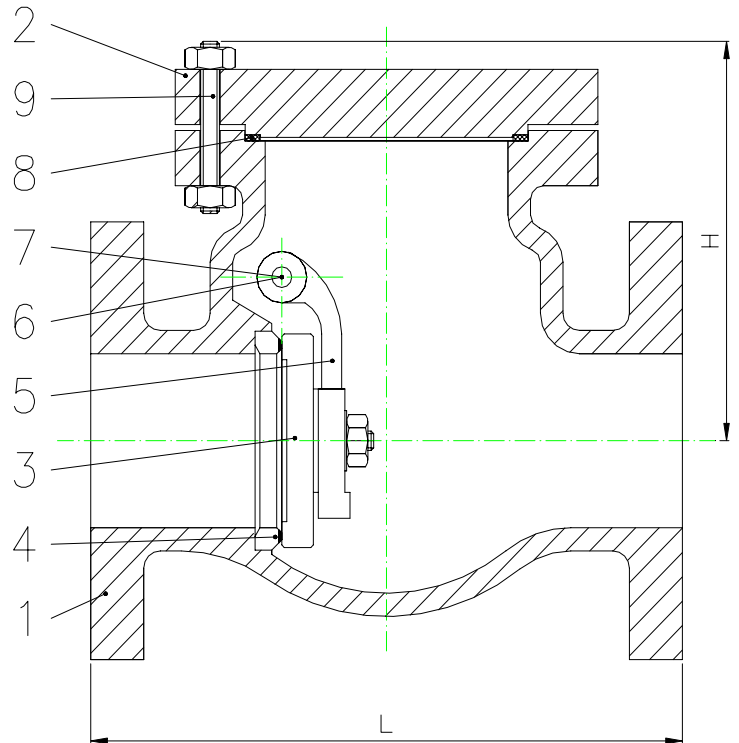


SWING CHECK VALVE CLASS 150

- ✓ Design according to
- BS 1868
- ANSI B 16.34
- API 6D
- ✓ Full range of body and cover materials
- ✓ Renewable seats
- ✓ Bolted cover
- ✓ Swing type disc
- ✓ Flanges according to ANSI B 16.5 from 2" to 24"
- ✓ Flanges according to ANSI B 16.47 from 26"
- ✓ Bw ends according to ANSI B 16.25
- ✓ Face to face according to ANSI B 16.10
- ✓ Testing according to

Material grades

Gate Valves are also available in Stainless Steel CF8, CF8M



Dimensions

Size	2"	3"	4"	6"	8"	10"	12"	14"	16"	18"	20"	24"	26"	30"	36"
L ^{RF} / _{BW}	203	241	292	356	495	622	698	787	864	978	978	1296	1296	1524	On Request
L-RTJ	216	254	305	369	508	635	711	800	877	991	991	1309	1309	1537	
H	150	180	195	245	305	370	400	435	490	520	560	650	700	1080	

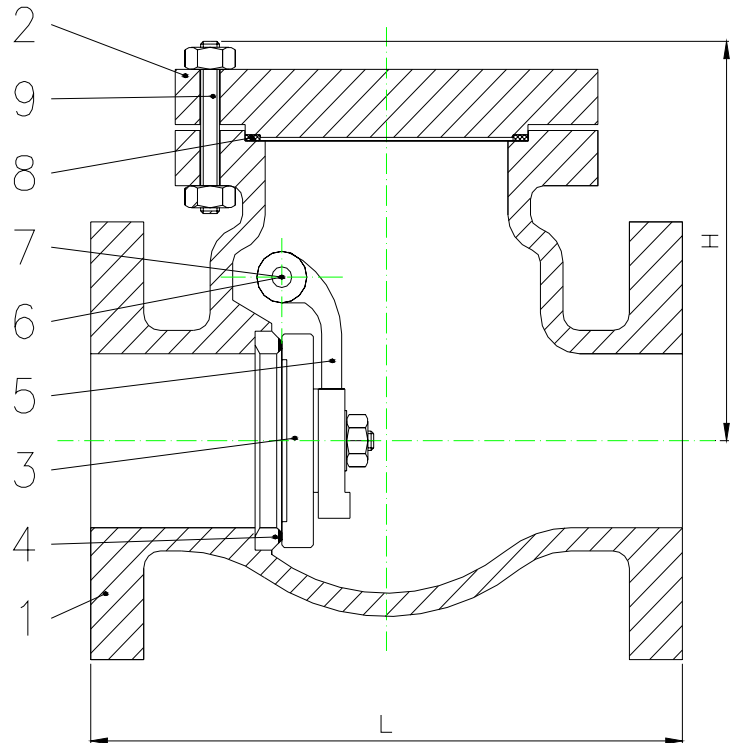
Item	PARTS	STANDARD MATERIAL			
		STD. CARBON STEEL	HIGH TEMPERATURE CARBON STEEL	LOW TEMPERATURE CARBON STEEL	STAINLESS STEEL
1	BODY	ASTM A216 WCB	ASTM A217 WC6/WC9/C5/C12	ASTM A352 LCB/LCC/LC3	ASTM A351 CF3/CF8/CF3M/CF8M
2	COVER	ASTM A 105			
5	HINGE				
3	DISC	ACCORDING TO API 600 TRIM NUMBER			
4	SEAT RING				
6	HINGE PIN				
7	PLUG				
8	GASKET	A182 F304L / A182 F316L SPIRAL WOUND REINFORCED GRAPHITE / PTFE			
9	BONNET STUD BOLTS/NUTS	A193 B7/A194 2H	A193 B16/A194 Gr4	A320 L7/A320 Gr7	A193 B8/A194 Gr8

SWING CHECK VALVE CLASS 300

- ✓ Design according to
 - BS 1868
 - ANSI B 16.34
 - API 6D
- ✓ Full range of body and cover materials
- ✓ Renewable seats
- ✓ Bolted cover
- ✓ Swing type disc
- ✓ Flanges according to ANSI B 16.5 from 2" to 24"
- ✓ Flanges according to ANSI B 16.47 from 26"
- ✓ Bw ends according to ANSI B 16.25
- ✓ Face to face according to ANSI B 16.10
- ✓ Testing according to
 - API 598
 - BS EN ISO 12266 PART 1

Material grades

Gate Valves are also available in Stainless Stee CF8, CF8M



Dimensions

Size	2"	3"	4"	6"	8"	10"	12"	14"	16"	18"	20"	24"	30"	34"	36"
L ^{RF} / _{BW}	267	318	356	444	533	622	711	838	864	978	1016	1346	On request		
L-RTJ	283	334	372	460	549	638	727	854	880	994	1035	1368			
H	170	200	230	280	360	400	460	490	540	590	620	860			

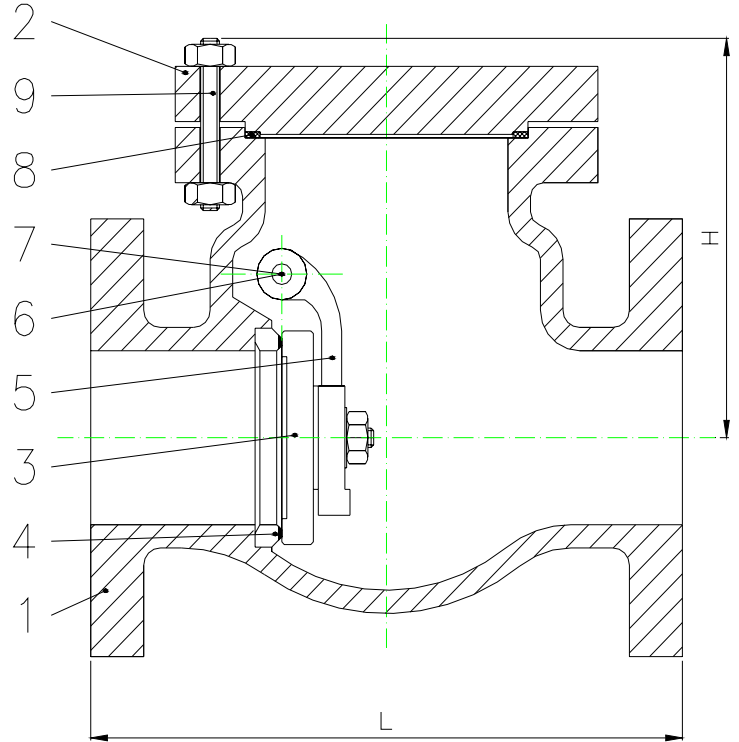
Item	PARTS	STANDARD MATERIAL			
		STD. CARBON STEEL	HIGH TEMPERATURE CARBON STEEL	LOW TEMPERATURE CARBON STEEL	STAINLESS STEEL
1	BODY	ASTM A216 WCB	ASTM A217 WC6/WC9/C5/C12	ASTM A352 LCB/LCC/LC3	ASTM A351 CF3/CF8/CF3M/CF8M
2	COVER	ASTM A 105			
5	HINGE	ACCORDING TO API 600 TRIM NUMBER			
3	DISC				
4	SEAT RING				
6	HINGE PIN				
7	PLUG	A182 F304L / A182 F316L			
8	GASKET	SPIRAL WOUND REINFORCED GRAPHITE / PTFE			
9	BONNET STUD BOLTS/NUTS	A193 B7/A194 2H	A193 B16/A194 Gr4	A320 L7/A320 Gr7	A193 B8/A194 Gr8

SWING CHECK VALVE CLASS 600

- ✓ Design according to
 - BS 1868
 - ANSI B 16.34
 - API 6D
- ✓ Full range of body and cover materials
- ✓ Renewable seats
- ✓ Bolted cover
- ✓ Swing type disc
- ✓ Flanges according to ANSI B 16.5 from 2" to 24"
- ✓ Flanges according to ANSI B 16.47 from 26"
- ✓ Bw ends according to ANSI B 16.25
- ✓ Face to face according to ANSI B 16.10
- ✓ Testing according to
 - API 598
 - BS EN ISO 12266 PART 1

Material grades

Gate Valves are also available in Stainless Steel CF8, CF8M



Dimensions

Size	2"	3"	4"	6"	8"	10"	12"	14"	16"	18"	20"	24"	30"	34"	36"
L ^{RF} / _{BW}	292	356	432	559	660	787	838	889	991	1092	1194	1397	1651	On request	
L-RTJ	295	359	435	562	663	790	841	892	994	1095	1200	1407	1664		
H	180	220	260	325	400	460	540	610	610	740	670	910	1100		

Item	PARTS	STANDARD MATERIAL			
		STD. CARBON STEEL	HIGH TEMPERATURE CARBON STEEL	LOW TEMPERATURE CARBON STEEL	STAINLESS STEEL
1	BODY	ASTM A 105	ASTM A217 WC6/WC9/C5/C12	ASTM A352 LCB/LCC/LC3	ASTM A351 CF3/CF8/CF3M/CF8M
2	COVER				
5	HINGE				
3	DISC	ACCORDING TO API 600 TRIM NUMBER			
4	SEAT RING				
6	HINGE PIN				
7	PLUG				
8	GASKET	A182 F304L / A182 F316L			
		SPIRAL WOUND REINFORCED GRAPHITE / PTFE			
9	BONNET STUD BOLTS/NUTS	A193 B7/A194 2H	A193 B16/A194 Gr4	A320 L7/A320 Gr7	A193 B8/A194 Gr8