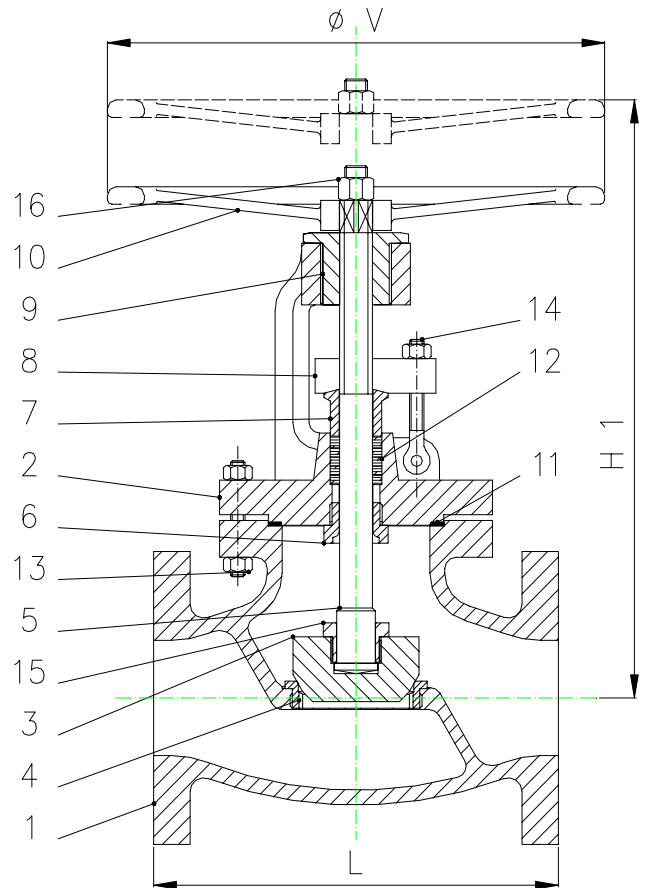


CAST GLOBE VALVE CLASS 150

- ✓ Design according to
 - BS 1873
 - ANSI B 16.34
- ✓ Bolted bonnet, O.S.& Y.
- ✓ Swivel disc
- ✓ Full range of body and bonnet materials
- ✓ Renewable seats
- ✓ Rising Handwheel
- ✓ Flanges according to ANSI B 16.5 from 2" to 24"
- ✓ Flanges according to ANSI B 16.47 from 26"
- ✓ Bw ends according to ANSI B 16.25
- ✓ Face to face according to ANSI B 16.10
- ✓ Testing according to
 - API 598
 - BS EN ISO 12266 PART 1

Material grades

Gate Valves are also available in Stainless Steel CF8, CF8M (API 603)



Dimensions

Size	2"	3"	4"	6"	8"	10"	12"	14"	16"	18"	20"	24"	30"	34"	36"
L ^{RF/BW}	203	241	292	406	495	622	698	787	914	Available on request					
L-RTJ	216	254	305	419	508	635	711	800	927						
H 1	325	410	465	575	655	740	840	980	1120						
V	200	225	250	300	400	450	500	600	720						

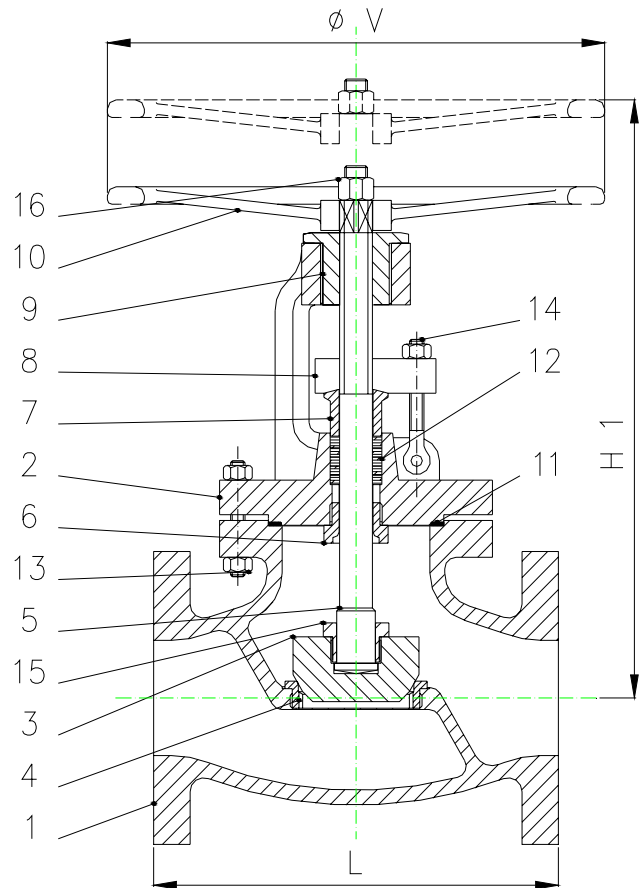
Item	PARTS	STANDARD MATERIAL			
		STD. CARBON STEEL	HIGH TEMPERATURE CARBON STEEL	LOW TEMPERATURE CARBON STEEL	STAINLESS STEEL
1	BODY	ASTM A216 WCB	ASTM A217 WC6/WC9/C5/C12	ASTM A352 LCB/LCC/LC3	ASTM A351 CF3/CF8/CF3M/CF8M
2	BONNET				
3	DISC	ACCORDING TO API 600 TRIM NUMBER F6 HF FOR CS / 304 HF FOR CF8 / 316 HF FOR SS316			
4	SEAT RING				
5	STEM				
6	BACK SEAT				
7	GLAND	A105	A182 F304L / A182 F316L		
8	GLAND FLANGE				
9	YOKE SLEEVE	NI RESIST			
10	HANDWHEEL	CARBON STEEL			
11	GASKET	SPIRAL WOUND REINFORCED GRAPHITE / PTFE			
12	STEM PACKING	GRAPHITE/PTFE			
13	BONNET STUD BOLTS/NUTS	A193 B7/A194 2H	A193 B16/A194 Gr4	A320 L7/A320 Gr7	A193 B8/A194 Gr8
14	EYEBOLTS/NUTS				
15	DISC NUT	CARBON STEEL			
16	HANDWHEEL NUT	CARBON STEEL			

CAST GLOBE VALVE CLASS 300

- ✓ Design according to
 - BS 1873
 - ANSI B 16.34
- ✓ Bolted bonnet, O.S.& Y.
- ✓ Swivel disc
- ✓ Full range of body and bonnet materials
- ✓ Renewable seats
- ✓ Rising Handwheel
- ✓ Flanges according to ANSI B 16.5 from 2" to 24"
- ✓ Flanges according to ANSI B 16.47 from 26"
- ✓ Bw ends according to ANSI B 16.25
- ✓ Face to face according to ANSI B 16.10
- ✓ Testing according to
 - API 598
 - BS EN ISO 12266 PART 1

Material grades

Gate Valves are also available in Stainless Steel CF8, CF8M (API 603)



Dimensions

Size	2"	3"	4"	6"	8"	10"	12"	14"	16"	18"	20"	24"	30"	34"	36"
L ^{RF} / _{BW}	267	318	356	444	559	622	711	838	914	Available on request					
L-RTJ	283	334	372	460	575	638	727	854	930						
H 1	395	470	550	655	755	900	980	1410	1475						
V	225	300	400	500	600	720	800	G.O.	G.O.						

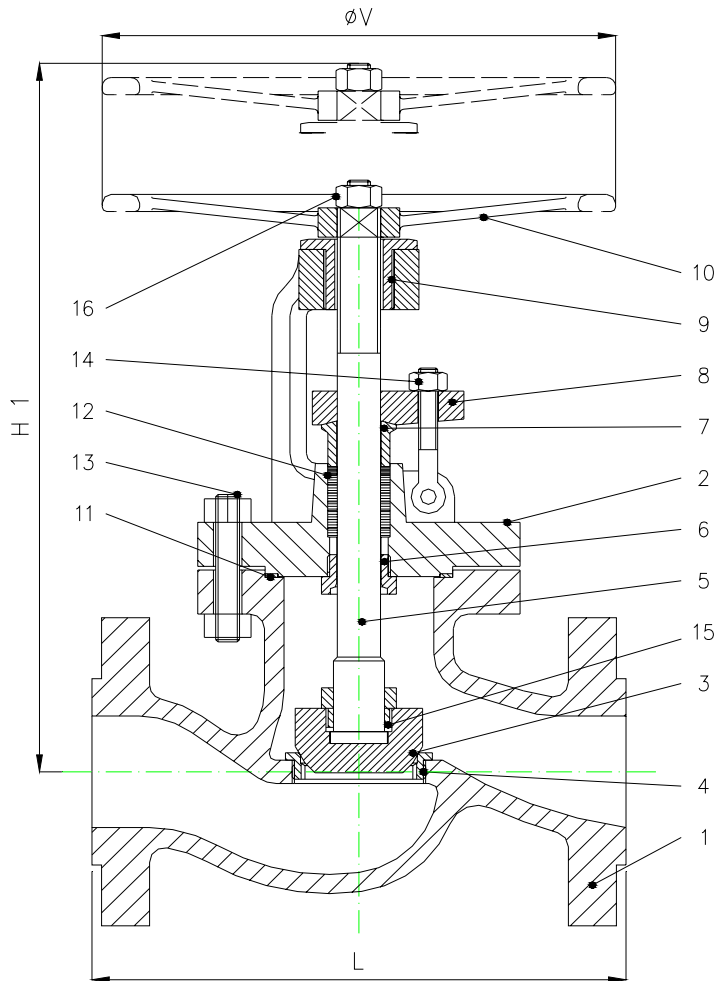
Item	PARTS	STANDARD MATERIAL			
		STD. CARBON STEEL	HIGH TEMPERATURE CARBON STEEL	LOW TEMPERATURE CARBON STEEL	STAINLESS STEEL
1	BODY	ASTM A216 WCB	ASTM A217 WC6/WC9/C5/C12	ASTM A352 LCB/LCC/LC3	ASTM A351 CF3/CF8/CF3M/CF8M
2	BONNET				
3	DISC	ACCORDING TO API 600 TRIM NUMBER			
4	SEAT RING				
5	STEM				
6	BACK SEAT				
7	GLAND	A105	A182 F304L / A182 F316L		
8	GLAND FLANGE				
9	YOKE SLEEVE	NI RESIST			
10	HANDWHEEL	CARBON STEEL			
11	GASKET	SPIRAL WOUND REINFORCED GRAPHITE / PTFE			
12	STEM PACKING	GRAPHITE/PTFE			
13	BONNET STUD BOLTS/NUTS	A193 B7/A194 2H	A193 B16/A194 Gr4	A320 L7/A320 Gr7	A193 B8/A194 Gr8
14	EYEBOLTS/NUTS				
15	DISC NUT	CARBON STEEL			
16	HANDWHEEL NUT	CARBON STEEL			

CAST GLOBE VALVE CLASS 600

- ✓ Design according to
 - BS 1873
 - ANSI B 16.34
- ✓ Bolted bonnet, O.S.& Y.
- ✓ Swivel disc
- ✓ Full range of body and bonnet materials
- ✓ Renewable seats
- ✓ Rising Handwheel
- ✓ Flanges according to ANSI B 16.5 from 2" to 24"
- ✓ Flanges according to ANSI B 16.47 from 26"
- ✓ Bw ends according to ANSI B 16.25
- ✓ Face to face according to ANSI B 16.10
- ✓ Testing according to
 - API 598
 - BS EN ISO 12266 PART 1

Material grades

Gate Valves are also available in Stainless Steel CF8, CF8M (API 603)



Dimensions

Size	2"	3"	4"	6"	8"	10"	12"	14"	16"	18"	20"	24"	30"	34"	36"
L ^{RF} / _{BW}	292	356	432	559	660	787	838	Available on request							
L-RTJ	295	359	435	562	663	790	841								
H 1	415	550	615	755	880	1050	2100								
V	200	225	250	300	350	400	450								

Item	PARTS	STANDARD MATERIAL			
		STD. CARBON STEEL	HIGH TEMPERATURE CARBON STEEL	LOW TEMPERATURE CARBON STEEL	STAINLESS STEEL
1	BODY	ASTM A216 WCB	ASTM A217 WC6/WC9/C5/C12	ASTM A352 LCB/LCC/LC3	ASTM A351 CF3/CF8/CF3M/CF8M
2	BONNET				
3	DISC	ACCORDING TO API 600 TRIM NUMBER			
4	SEAT RING				
5	STEM				
6	BACK SEAT				
7	GLAND				
8	GLAND FLANGE				
9	YOKE SLEEVE	NI RESIST			
10	HANDWHEEL	CARBON STEEL			
11	GASKET	SPIRAL WOUND REINFORCED GRAPHITE / PTFE			
12	STEM PACKING	GRAPHITE/PTFE			
13	BONNET STUD BOLTS/NUTS	A193 B7/A194 2H	A193 B16/A194 Gr4	A320 L7/A320 Gr7	A193 B8/A194 Gr8
14	EYEBOLTS/NUTS				
15	DISC NUT	CARBON STEEL			
16	HANDWHEEL NUT	CARBON STEEL			