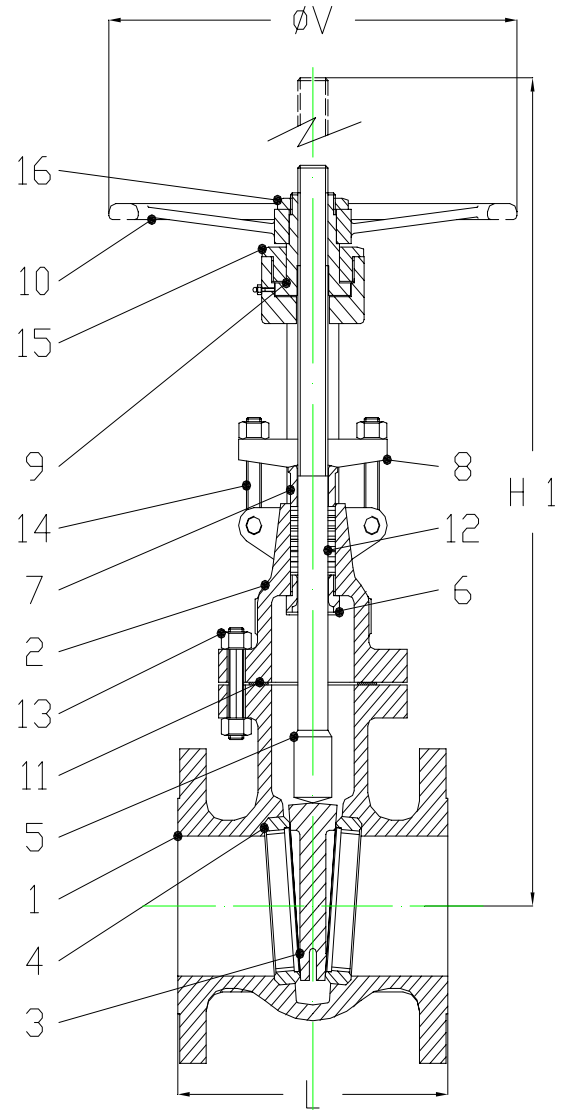


GATE VALVE CLASS 150

- ✓ Design according to
 - API 600
 - BS EN ISO 10434
 - ANSI B 16-34
- ✓ Bolted bonnet, O.S.& Y.
- ✓ Solid or flexible wedge
- ✓ Full range of body and bonnet materials
- ✓ Renewable seats
- ✓ Rising stem – Non rising Handwheel
- ✓ Flanges according to ANSI B 16.5 from 2" to 24"
- ✓ Flanges according to ANSI B 16.47 from 26"
- ✓ Bw ends according to ANSI B 16.25
- ✓ Face to face according to ANSI B 16.10
- ✓ Testing according to
 - API 598
 - BS EN ISO 12266 Part 1

Material grades

Gate Valves are also available in Stainless Steel CF8, CF8M (API 603)



Dimensions

Size	2"	3"	4"	6"	8"	10"	12"	14"	16"	18"	20"	24"	30"	34"	36"
L-RF	178	203	229	267	292	330	356	381	406	432	457	508	610	711	711
L-BW	216	282	305	403	419	457	502	572	610	660	711	813	914	1016	1016
H 1	425	530	605	790	1000	1200	1420	1610	1780	2000	2140	2610	3420	4070	4365
V	200	225	250	300	350	400	450	500	600	600	720	800	G.O.	G.O.	G.O.

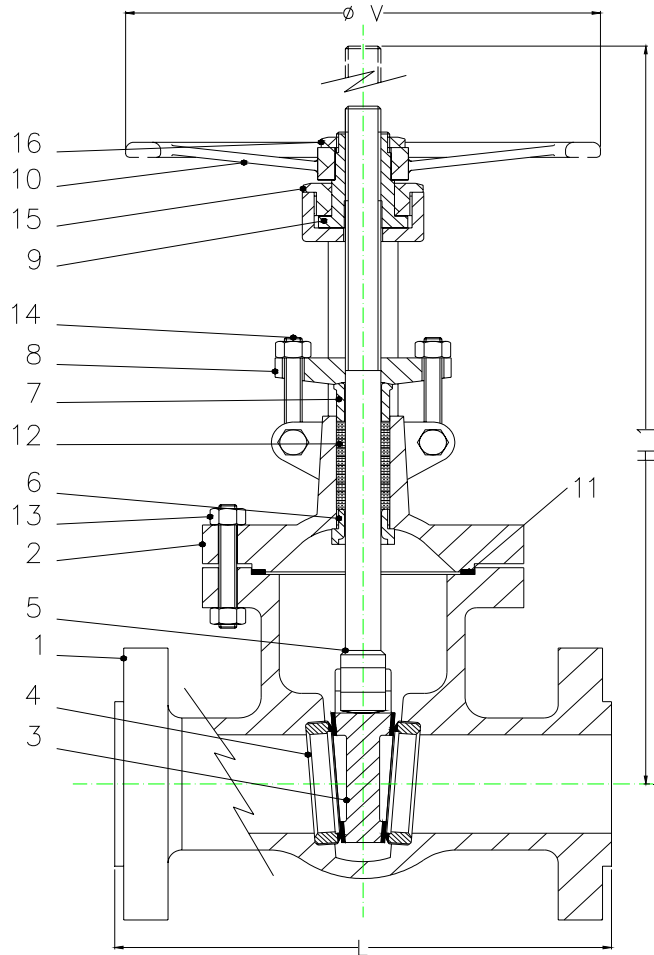
ITEM	PARTS	STANDARD MATERIAL			
		STD. CARBON STEEL	HIGH TEMPERATURE CARBON STEEL	LOW TEMPERATURE CARBON STEEL	STAINLESS STEEL
1	BODY	ASTM A216 WCB	ASTM A217 WC6/WC9/C5/C12	ASTM A352 LCB/LCC/LC3	ASTM A351 CF3/CF8/CF3M/CF8M
2	BONNET				
3	WEDGE	ACCORDING TO API 600 TRIM NUMBER F6 HF FOR CS / 304 HF FOR CF8 / 316 HF FOR SS316			
4	SEAT RING				
5	STEM				
6	BACK SEAT				
7	GLAND				
8	GLAND FLANGE				
9	YOKE SLEEVE	NI RESIST			
10	HANDWHEEL	CARBON STEEL			
11	GASKET	FLAT REINFORCED GRAPHITE / FLAT PTFE			
12	STEM PACKING	GRAPHITE/PTFE			
13	BONNET STUD BOLTS/NUTS	A193 B7/A194 2H	A193 B16/A194 Gr4	A320 L7/A320 Gr7	A193 B8/A194 Gr8
14	EYEBOLTS/NUTS				
15	YOKE SLEEVE NUT	CARBON STEEL			
16	HANDWHEEL NUT	CARBON STEEL			

GATE VALVE CLASS 300

- ✓ Design according to
 - API 600
 - BS EN ISO 10434
 - ANSI B 16-34
- ✓ Bolted bonnet, O.S.& Y.
- ✓ Solid or flexible wedge
- ✓ Full range of body and bonnet materials
- ✓ Renewable seats
- ✓ Rising stem - Non rising Handwheel
- ✓ Flanges according to ANSI B 16.5 from 2" to 24"
- ✓ Flanges according to ANSI B 16.47 from 26"
- ✓ Bw ends according to ANSI B 16.25
- ✓ Face to face according to ANSI B 16.10
- ✓ Testing according to
 - API 598
 - BS EN ISO 12266 Part 1

Material grades

Gate Valves are also available in Stainless Steel CF8, CF8M (API 603)



Dimensions															
Size	2"	3"	4"	6"	8"	10"	12"	14"	16"	18"	20"	24"	26"	28"	30"
L ^{RF} / _{BW}	216	282	305	403	419	457	502	762	838	914	991	1143	1245	1346	1397
L-RTJ	232	298	321	419	435	473	518	778	854	930	1010	1165	1271	1372	1422
H 1	435	560	650	830	1080	1245	1510	1710	1870	2090	2310	2810	3120	3310	3535
V	200	225	250	350	400	450	500	600	600	720	800	1000	G.O.	G.O.	G.O.

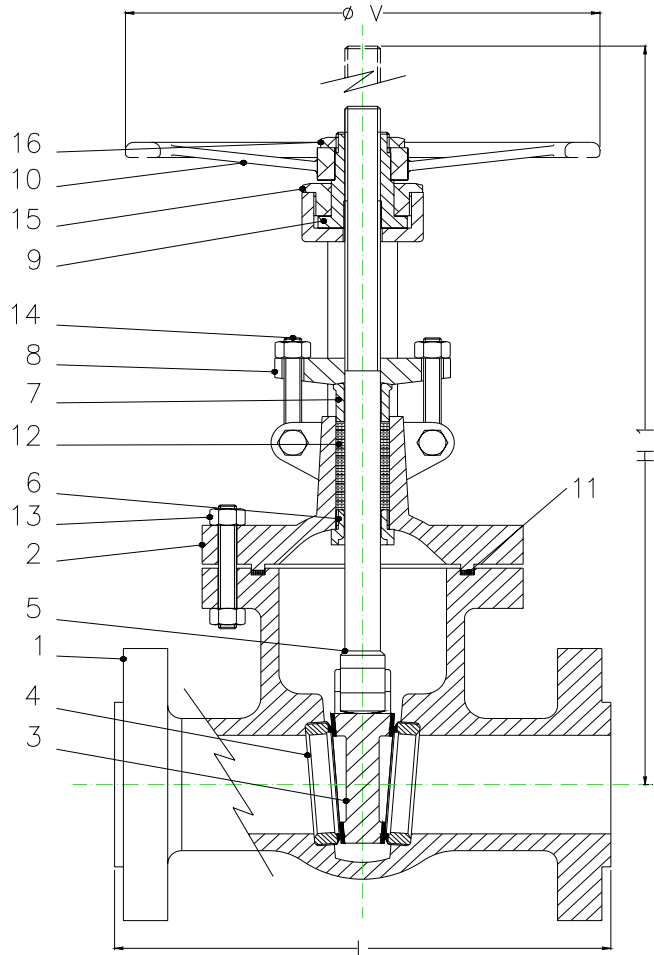
Item	PARTS	STANDARD MATERIAL			
		STD. CARBON STEEL	HIGH TEMPERATURE CARBON STEEL	LOW TEMPERATURE CARBON STEEL	STAINLESS STEEL
1	BODY	ASTM A216 WCB	ASTM A217 WC6/WC9/C5/C12	ASTM A352 LCB/LCC/LC3	ASTM A351 CF3/CF8/CF3M/CF8M
2	BONNET				
3	WEDGE	ACCORDING TO API 600 TRIM NUMBER F6 HF FOR CS / 304 HF FOR CF8 / 316 HF FOR SS316			
4	SEAT RING				
5	STEM				
6	BACK SEAT				
7	GLAND				
8	GLAND FLANGE				
9	YOKE SLEEVE	NI RESIST			
10	HANDWHEEL	CARBON STEEL			
11	GASKET	SPIRAL WOUND REINFORCED GRAPHITE / PTFE			
12	STEM PACKING	GRAPHITE/PTFE			
13	BONNET STUD BOLTS/NUTS	A193 B7/A194 2H	A193 B16/A194 Gr4	A320 L7/A320 Gr7	A193 B8/A194 Gr8
14	EYEBOLTS/NUTS				
15	YOKE SLEEVE NUT	CARBON STEEL			
16	HANDWHEEL NUT	CARBON STEEL			

GATE VALVE CLASS 600

- ✓ Design according to
 - API 600
 - BS EN ISO 10434
 - ANSI B 16-34
- ✓ Bolted bonnet, O.S.& Y.
- ✓ Solid or flexible wedge
- ✓ Full range of body and bonnet materials
- ✓ Renewable seats
- ✓ Rising stem – Non rising Handwheel
- ✓ Flanges according to ANSI B 16.5 from 2" to 24"
- ✓ Flanges according to ANSI B 16.47 from 26"
- ✓ Bw ends according to ANSI B 16.25
- ✓ Face to face according to ANSI B 16.10
- ✓ Testing according to
 - API 598
 - BS EN ISO 12266 Part 1

Material grades

Gate Valves are also available in Stainless Steel CF8, CF8M (API 603)



Dimensions

Size	2"	3"	4"	6"	8"	10"	12"	14"	16"	18"	20"	24"	30"	34"	36"
L ^{RF/BW}	292	356	432	559	660	787	838	889	991	1092	1194	1397	1651	Available on request	
L-RTJ	295	359	435	562	663	790	841	892	994	1095	1200	1407	1664		
H 1	450	575	680	925	1120	1310	1560	1760	1930	2125	2195	2725	3900		
V	200	250	300	450	500	600	720	800	1000	G.O.	G.O.	G.O.	G.O.		

Item	PARTS	STANDARD MATERIAL			
		STD. CARBON STEEL	HIGH TEMPERATURE CARBON STEEL	LOW TEMPERATURE CARBON STEEL	STAINLESS STEEL
1	BODY	ASTM A216 WCB	ASTM A217 WC6/WC9/C5/C12	ASTM A352 LCB/LCC/LC3	ASTM A351 CF3/CF8/CF3M/CF8M
2	BONNET				
3	WEDGE	ACCORDING TO API 600 TRIM NUMBER F6 HF FOR CS / 304 HF FOR CF8 / 316 HF FOR SS316			
4	SEAT RING				
5	STEM				
6	BACK SEAT				
7	GLAND	A105	A182 F304L /A182 F316L		
8	GLAND FLANGE				
9	YOKE SLEEVE	NI RESIST			
10	HANDWHEEL	CARBON STEEL			
11	GASKET	SPIRAL WOUND REINFORCED GRAPHITE / PTFE			
12	STEM PACKING	GRAPHITE/PTFE			
13	BONNET STUD BOLTS/NUTS	A193 B7/A194 2H	A193 B16/A194 Gr4	A320 L7/A320 Gr7	A193 B8/A194 Gr8
14	EYEBOLTS/NUTS				
15	YOKE SLEEVE NUT	CARBON STEEL			
16	HANDWHEEL NUT	CARBON STEEL			