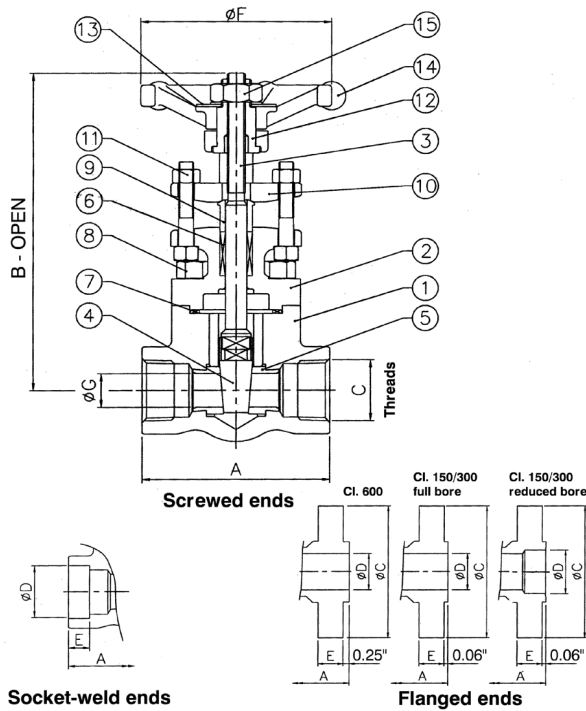


Forged Gate Valve API 602



Materials

Sl. No.	Part Description	Specification
1	Body	ASTM A105
2	Bonnet	ASTM A105
3	Stem	ASTM A479 Type 410
4	Wedge Disc	ASTM A217 Gr. CA15
5	Body Seat Ring	ASTM A276 Type 410
6	Stem packing	Graphite moulded rings with braided top / bottom rings
7	Gasket	Spiral-wound SS type 304 with graphite filler
8	Cap Screws	ASTM A193 Gr. B7
9	Gland Bush	ASTM A276 Type 410
10	Gland Flange	ASTM A105
11	Gland Stud / Nut	ASTM A276 Type 410 / ASTM A194 Gr. 2H
12	Yoke Sleeve	ASTM A582 Type 416
13	Identification Plate	Aluminium (anodised)
14	Handwheel	SG Iron / Steel
15	Handwheel Nut	Steel

Valve size inch (mm)	A	B		C		D (min)	E	F		G		App. Wt. (kg)	
		RB	FB	RB	FB			RB	FB	RB	FB	RB	FB
1/4 (8)**	3.15	6.0	-	1/4	-	0.555	0.38	3.25	-	0.25	-	1.6	-
3/8 (10)	3.15	6.0	6.0	3/8	-	0.690	0.38	3.25	3.25	0.25	0.38	1.6	1.6
1/2 (15)	3.15	6.0	6.2	1/2	-	0.855	0.38	3.25	3.25	0.38	0.50	1.6	2.0
3/4 (20)	3.35	6.2	7.5	3/4	-	1.065	0.50	3.25	4.00	0.50	0.71	2.0	3.1
1 (25)	3.94	7.5	10.0	1	-	1.330	0.50	4.00	5.50	0.71	0.94	3.1	6.1
1 1/4 (32)	4.70	10.0	10.0	1 1/4	-	1.675	0.50	5.50	5.50	0.94	1.19	6.1	6.0
1 1/2 (40)	4.70	10.0	11.4	1 1/2	-	1.915	0.50	5.50	7.25	1.19	1.44	6.0	9.1
2 (50)**	5.12	11.4	-	2	-	2.406	0.62	7.25	-	1.44	-	9.1	-

**Socket Weld
NPT Thread
800#**

Valve size inch (mm)	A	B		C	ø D		E	ø F		App. Wt. (kg)	
		RB	FB		RB	FB		RB	FB	RB	FB
1/2 (15)	6.5	6.0	6.2	3.75	0.50	0.62	0.56	3.25	3.25	3.5	5.1
3/4 (20)	7.5	6.2	7.5	4.62	0.75	0.82	0.62	3.25	4.00	5.1	7.1
1 (25)	8.5	7.5	10.0	4.88	1.00	1.05	0.69	4.00	5.50	7.1	11.3
1 1/4 (32)	9.0	10.0	10.0	5.25	1.25	1.38	0.81	5.50	5.50	11.3	13.5
1 1/2 (40)	9.5	10.0	11.4	6.12	1.50	1.61	0.88	5.50	7.25	13.5	19.2
2 (50)	11.5	11.4	-	6.50	2.00	-	1.00	7.25	-	19.2	-

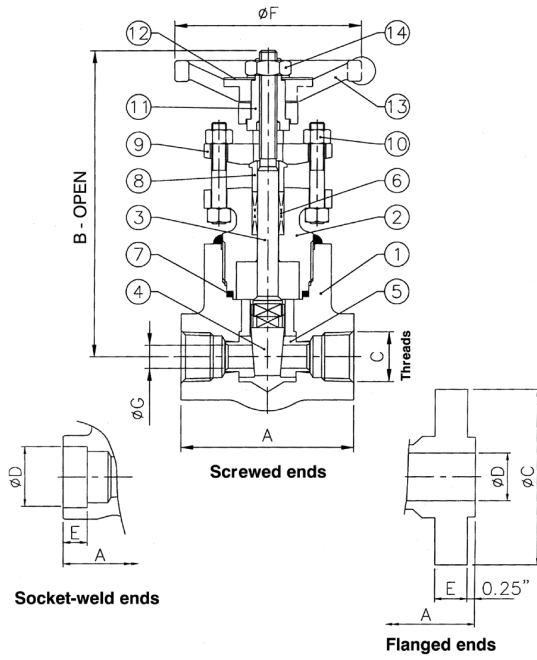
**Flanged
600#**

Valve size inch (mm)	A	B		C		ø D	E	ø F	
		RB	FB	Class 150	Class 300			RB	FB
1/2 (15)	5.5	6.0	6.2	3.50	3.75	0.62	0.56	3.25	3.25
3/4 (20)	6.0	6.2	7.5	3.88	4.62	0.82	0.62	3.25	4.00
1 (25)	6.5	7.5	10.0	4.25	4.88	1.05	0.69	4.00	5.50
1 1/4 (32)	7.0	10.0	10.0	4.62	5.25	1.38	0.75	5.50	5.50
1 1/2 (40)	7.5	10.0	11.4	5.00	6.12	1.61	0.81	5.50	7.25
2 (50)	8.5	11.4	-	6.00	6.50	2.07	0.88	7.25	-

**Flanged
150/300#**

Forged Gate Valve API 602

Materials



Sl. No.	Part Description	Specification
1	Body	ASTM A105
2	Bonnet	ASTM A105
3	Stem	ASTM A479 Type 410
4	Wedge Disc	ASTM A217 Gr. CA15
5	Body Seat Ring	ASTM A276 Type 410
6	Gasket	Spiral-wound SS type 304 with graphite filler
7	Stem packing	Graphite moulded rings with braided top/bottom rings
8	Gland Bush	ASTM A276 Type 410
9	Gland Flange	ASTM A105
10	Gland Stud / Nut	ASTM A276 Type 410 / ASTM A194 Gr. 2H
11	Yoke Sleeve	ASTM A582 Type 416
12	Identification Plate	Aluminium (anodised)
13	Handwheel	SG Iron / Steel
14	Handwheel Nut	Steel

Valve size inch (mm)	SCREWED / SOCKET-WELD ENDS							FLANGED ENDS						
	A	B	C	D (min)	E	F	G	A	B	C	D	E	F	G
3/8 (10)	3.70	7.32	3/8	0.690	0.38	4.00	0.250	-	-	-	-	-	-	-
1/2 (15)	3.70	7.32	1/2	0.855	0.38	4.00	0.375	8.50	7.32	4.75	0.50	0.88	4.00	0.375
3/4 (20)	3.70	7.32	3/4	1.065	0.50	4.00	0.500	9.00	7.32	5.12	0.75	1.00	4.00	0.500
1 (25)	4.40	7.50	1	1.330	0.50	5.50	0.625	10.00	7.50	5.88	1.00	1.12	5.50	0.625
1 1/4 (32)	5.12	10.92	1 1/4	1.675	0.50	7.25	1.102	11.00	10.92	6.25	1.25	1.12	7.25	1.102
1 1/2 (40)	5.12	10.92	1 1/2	1.915	0.50	7.25	1.102	12.00	10.92	7.00	1.50	1.25	7.25	1.102
2 (50)	7.82	19.10	2	2.406	0.62	14.00	1.500	14.50	19.10	8.50	2.00	1.50	14.00	1.500

**Standard
Port
1500#**